

THIS INSTRUMENT PREPARED BY
 LONDON M. CROSS OF
CARNAHAN AND ASSOCIATES, INC.
 CONSULTING ENGINEERS
 ENGINEERS SURVEYORS PLANNERS
 6191 WEST ATLANTIC BLVD. MARGATE, FLORIDA 33063
 SEPT. 1992 870606R JSH

BOCA ISLES WEST PHASE 2A-1

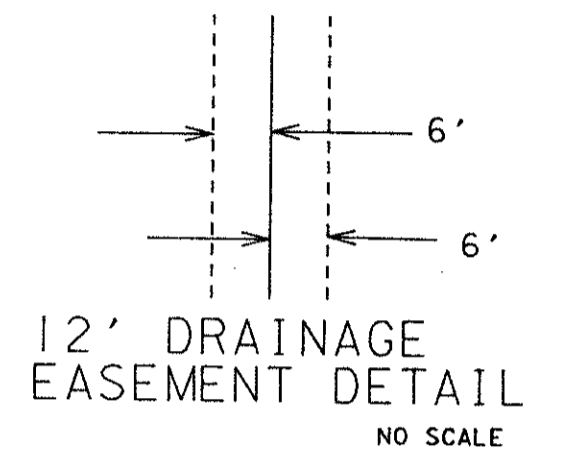
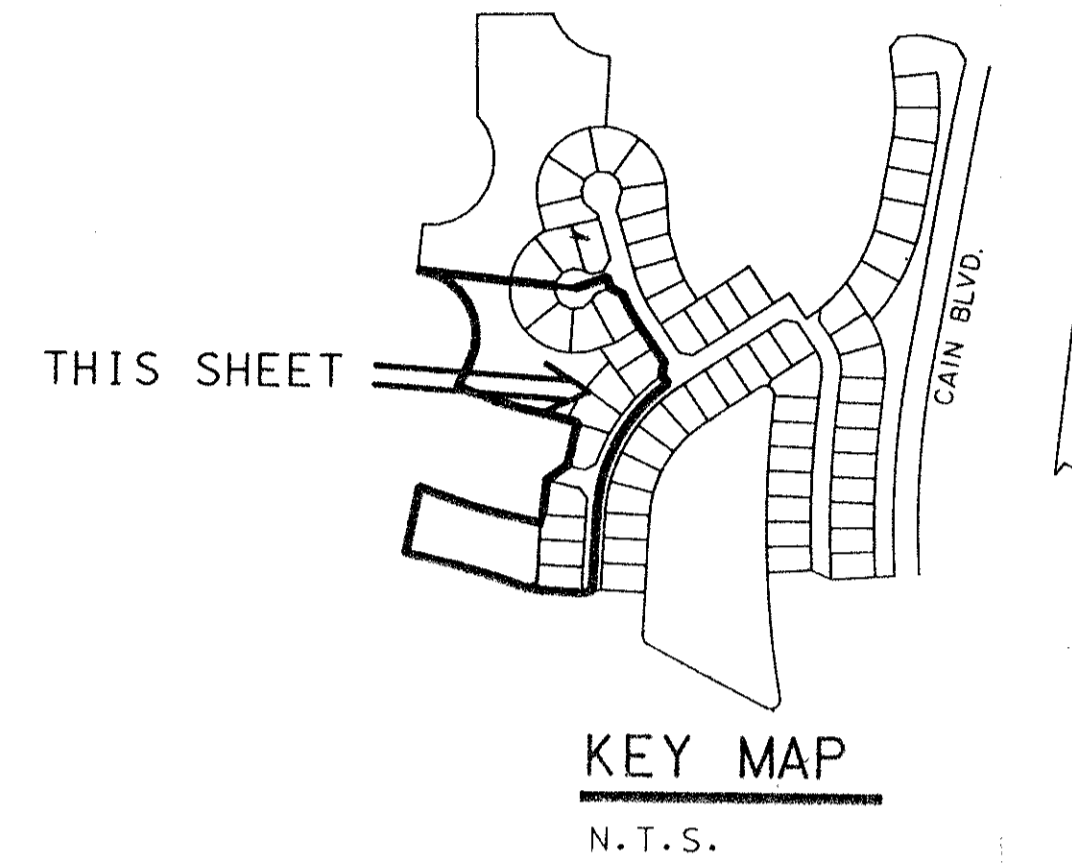
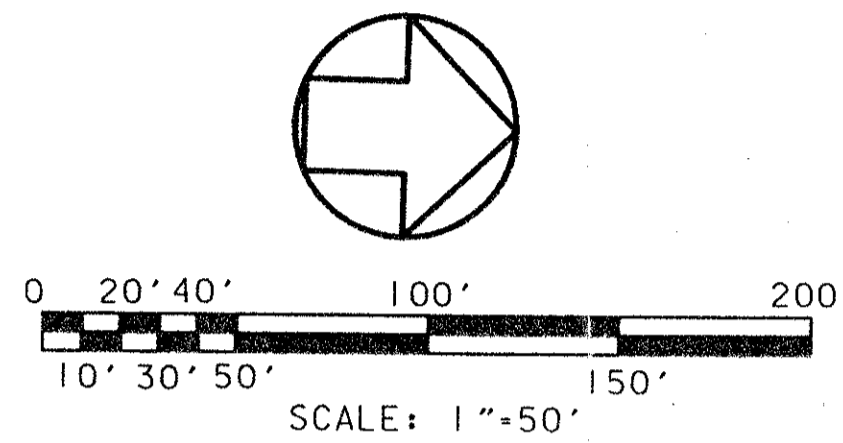
A PORTION OF SECTION 12, TOWNSHIP 47 SOUTH, RANGE 41
 EAST, LYING IN PALM BEACH COUNTY, FLORIDA

PALM BEACH COUNTY, FLORIDA

113

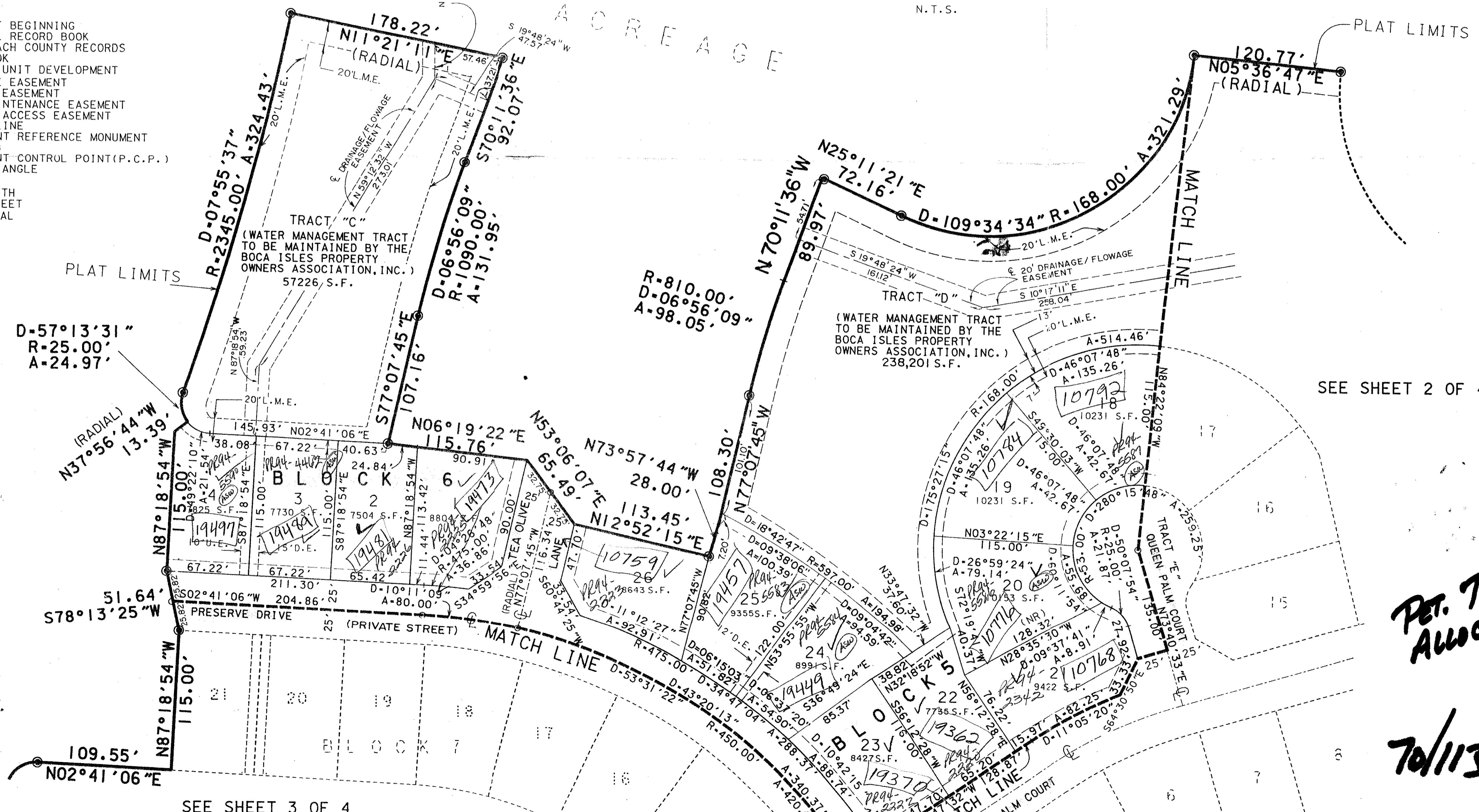
STATE OF FLORIDA
 COUNTY OF PALM BEACH
 THIS PLAT WAS FILED FOR
 RECORD AT
 THIS DAY OF
 A.D., 199 AND DULY RECORDED
 IN PLAT BOOK ON PAGES
 THROUGH
 DOROTHY H. WILKEN, CLERK
 BY: _____ DC

SHEET 4 OF 4 SHEETS



LEGEND:

- P.O.B. ----- DENOTES POINT OF BEGINNING
- O.R.B. ----- DENOTES OFFICIAL RECORD BOOK
- P.B.C.R. ----- DENOTES PALM BEACH COUNTY RECORDS
- P.B. ----- DENOTES PLAT BOOK
- P.U.D. ----- DENOTES PLANNED UNIT DEVELOPMENT
- D.E. ----- DENOTES DRAINAGE EASEMENT
- U.E. ----- DENOTES UTILITY EASEMENT
- L.M.E. ----- DENOTES LAKE MAINTENANCE EASEMENT
- L.A.E. ----- DENOTES LIMITED ACCESS EASEMENT
- CL ----- DENOTES CENTER LINE
- PM ----- DENOTES PERMANENT REFERENCE MONUMENT
- PL.S. NO. 3348
- O ----- DENOTES PERMANENT CONTROL POINT (P.C.P.)
- D ----- DENOTES CENTRAL ANGLE
- R ----- DENOTES RADIUS
- A ----- DENOTES ARC LENGTH
- S.F. ----- DENOTES SQUARE FEET
- (NR) ----- DENOTES NON-RADIAL



SEE SHEET 2 OF 4

SEE SHEET 3 OF 4

SUBDIVISION * BOCA ISLES WEST PH. 2A-1
 BOOK 70 PAGE 113
 FLOOD ZONE 1b FLOOD MAP #100B
 SE ZONING RT5
 ZIP CODE 33478
 PUD NAME BOCA ISLES WEST PH. 2A-1

TAZ = 881

PET. 77-131
 Alloc. #000

70/113

BOCA ISLES WEST PHASE 2A-1 0208-011